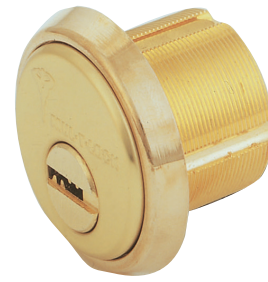


Mortise Cylinder



Application

Compatible with residential and commercial door locksets. Interfaces with locksets of major brands (see available cams).

Can retrofit a 'Jumbo' cylinder with an adaptor ring.

Operation

360° rotation by operating key or thumbturn.

Materials

Body and plug: high quality brass
Cam: steel
Pins: nickel silver and stainless steel

Standard finish

Nickel chrome matt, nickel chrome, shiny brass

Special finishes

Antique bronze, black, antique brass, PVD

Cylinder mechanism

Mul-T-Lock's unique, high precision pin tumbler system. Pick and drill resistant for High Security needs.

Keys

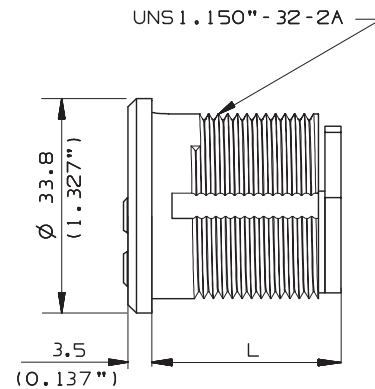
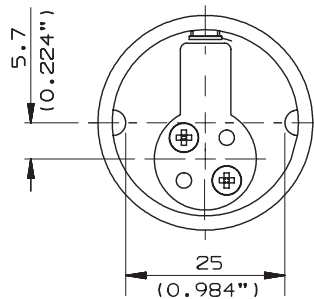
Reversible nickel silver key with plastic key head and colored insert. Also available in all nickel silver.

Cylinder options

- Classic, Interactive®, MT5® platforms
- '3 IN 1' (changeable combination)
- Keyed different, keyed alike
- Master keyed
- Variety of cams

Standards

ISI950

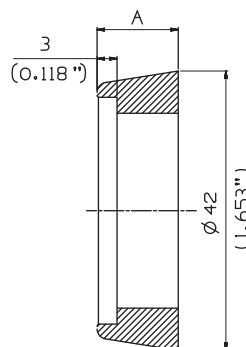


Length available (mm)

Cylinder	L	
	mm	Inch
1*	27.9	1.1
1 1/8"	29.6	1.165
1 1/4"	32.8	1.294
1 3/8"	36	1.418
1 1/2"	39.2	1.544
1 3/4"	45.6	1.794
2	52	2.044

*Product with 4 chambers, not UL Listed.

Spacer ring



A	
mm	Inch
5.7*	0.224*
8.9	0.350
12.2	0.480
15.5	0.610

*Supplied as standard



Mortise Cylinder Cams

Options Available

Cylinders

<p>Adams Rite type P/N 85000020</p>	<p>Yale standard type P/N 85000014</p>	<p>Russwin type P/N 85000019</p>	<p>Falcon type P/N 85000041</p>	<p>Lockwood type P/N 85000054</p>
<p>Segal type P/N 86001008</p>	<p>Schlage type P/N 85000057</p>	<p>Sargent offset type P/N 85000082</p>	<p>Jumbo type P/N 85000112 (Required ring 85000157)</p>	<p>Baldwin type P/N 85000117</p>
<p>Yale type P/N 85000165</p>	<p>Vingcard type P/N 51075696</p>	<p>Yale type A-04 P/N 85000185</p>	<p>Yale type 2160 P/N 85000186</p>	